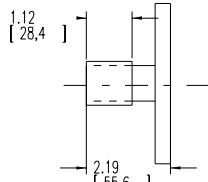


### Installation Drawing

### Basic Pump - Rear Ported

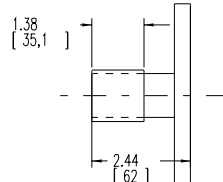
OPTIONAL SAE "C" SPLINE SHAFT  
(SAE "32-4") (CODE K)

VIEW SHOWING OPTIONAL SPLINE SHAFT  
SAE INVOLUTE SPLINE 14 TEETH, 12/24 PITCH  
1.235-.005(31.37-.13) MAJOR DIA.



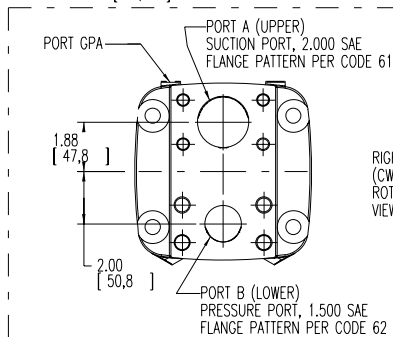
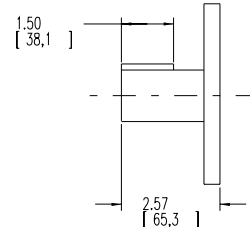
OPTIONAL SAE "C-C" SPLINE SHAFT  
(SAE "38-4") (CODE S)

VIEW SHOWING OPTIONAL SPLINE SHAFT  
SAE INVOLUTE SPLINE 17 TEETH, 12/24 PITCH  
1.485-.005(37.72-.13) MAJOR DIA.



OPTIONAL KEYED SHAFT  
(SAE "38-1") (CODE Z)

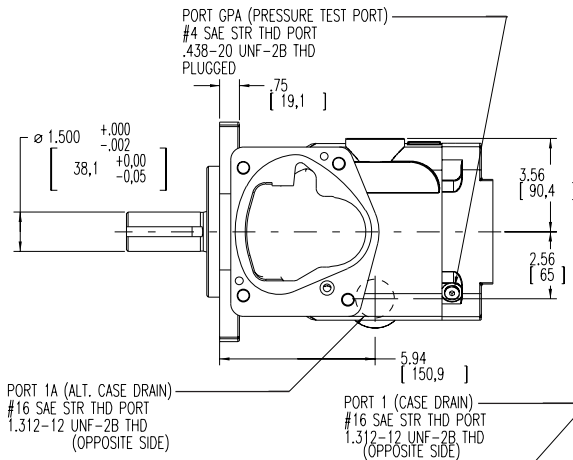
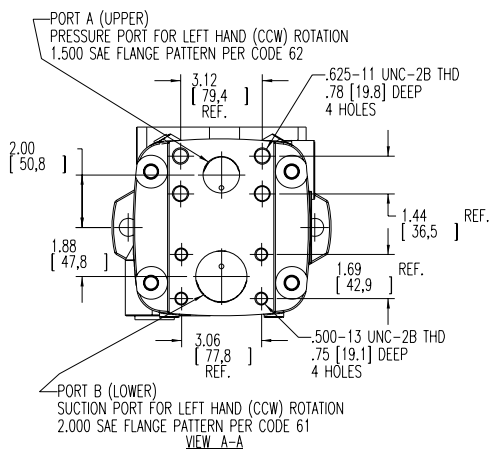
(FOR KEY & SHAFT  
INFO. SEE BEOLW)



RIGHT HAND  
(CW)  
ROTATION  
VIEW A-A

NOTES:

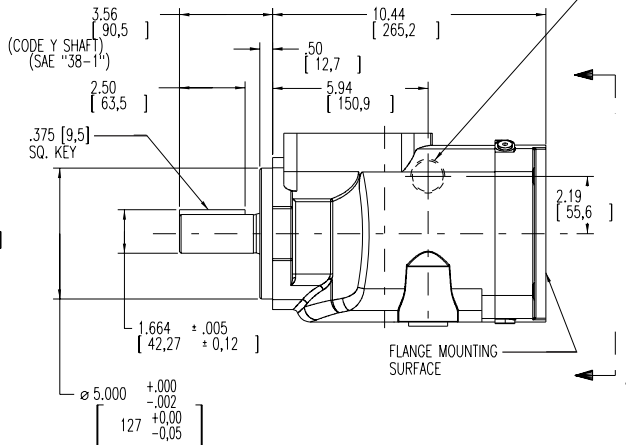
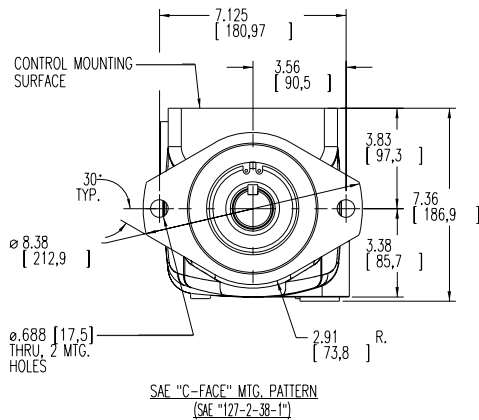
1. PUMPS DESIGNED FOR ONE-WAY SERVICE ARE DIMENSIONED AS SHOWN.
2. THESE UNITS ARE DESIGNED TO RUN CASE FULL OF FLUID AT ALL TIMES. FILL CASE BEFORE STARTING AND CONNECT DRAIN LINES ACCORDINGLY.
3. NUMERICAL DIMENSIONS GIVEN IN INCHES/(MM).
4. NET WEIGHT- 86 LBS (39 KG).

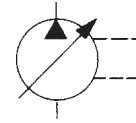


PORT 1A (ALT. CASE DRAIN)  
#16 SAE STR THD PORT  
1.312-12 UNF-2B THD  
(OPPOSITE SIDE)

PORT 1 (CASE DRAIN)  
#16 SAE STR THD PORT  
1.312-12 UNF-2B THD  
(OPPOSITE SIDE)

516152-201



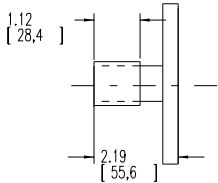


Installation Drawing

Basic Pump - Rear Ported

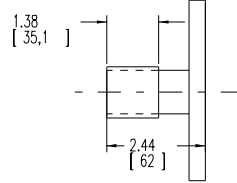
OPTIONAL SAE "C" SPLINE SHAFT  
(SAE "32-4") (CODE K)

VIEW SHOWING OPTIONAL SPLINE SHAFT  
SAE INVOLUTE SPLINE 14 TEETH, 12/24 PITCH  
1.235-.005(31.37-.13) MAJOR DIA.



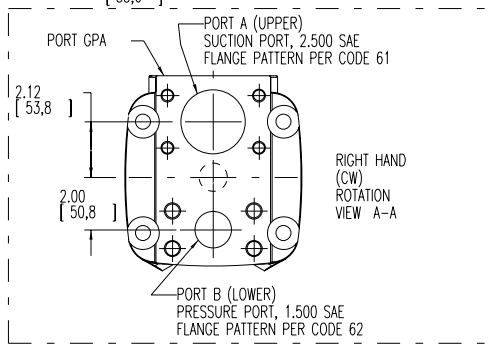
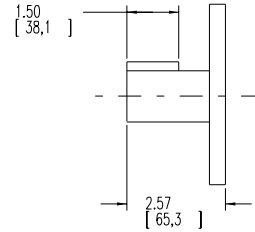
OPTIONAL SAE "C-C" SPLINE SHAFT  
(SAE "38-4") (SAE CODE S)

VIEW SHOWING OPTIONAL SPLINE SHAFT  
SAE INVOLUTE SPLINE 17 TEETH, 12/24 PITCH  
1.485-.005(37.72-.13) MAJOR DIA.



OPTIONAL KEYED SHAFT  
(SAE "38-1") (CODE Z)

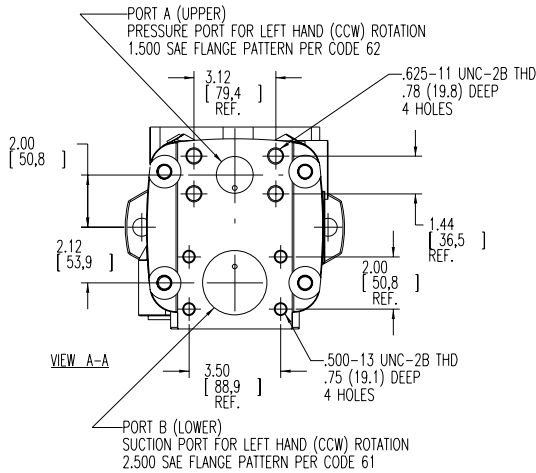
(FOR KEY & SHAFT  
INFO SEE BELOW)



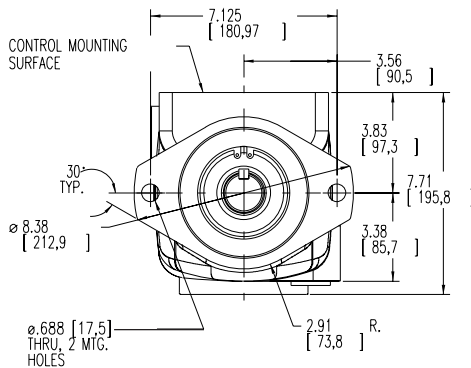
RIGHT HAND  
(CW)  
ROTATION  
VIEW A-A

NOTES:

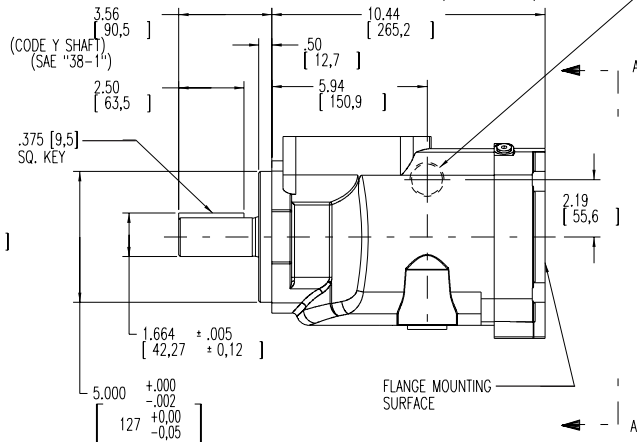
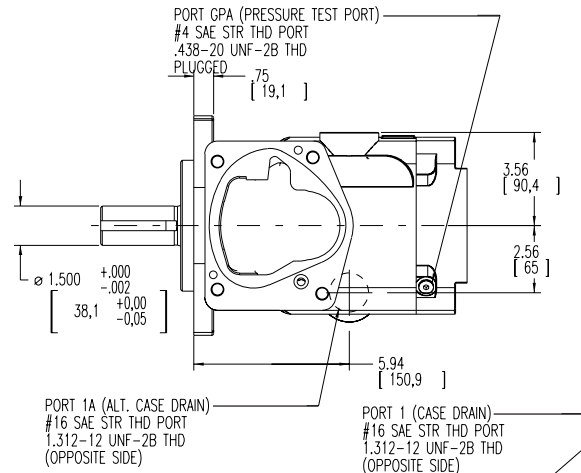
1. PUMPS DESIGNED FOR ONE-WAY SERVICE ARE DIMENSIONED AS SHOWN.
2. THESE UNITS ARE DESIGNED TO RUN CASE FULL OF FLUID AT ALL TIMES. FILL CASE BEFORE STARTING AND CONNECT DRAIN LINES ACCORDINGLY.
3. NUMERICAL DIMENSIONS GIVEN IN INCHES/(MM).
4. NET WEIGHT-87 LBS(42 KG.).



VIEW A-A



SAE "C-FACE" MITC. PATTERN  
(SAE "127-2-38-1")



FLANGE MOUNTING SURFACE

516152-202