

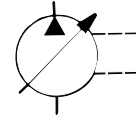


# PUMP, VARIABLE DELIVERY PVWJ 011

ENGINEERING

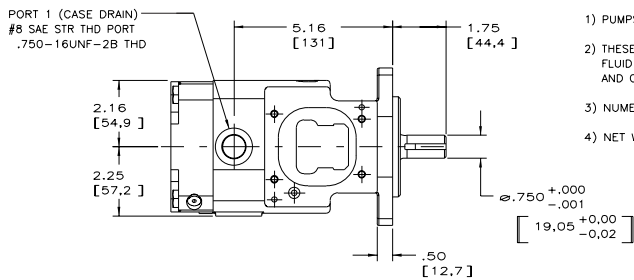
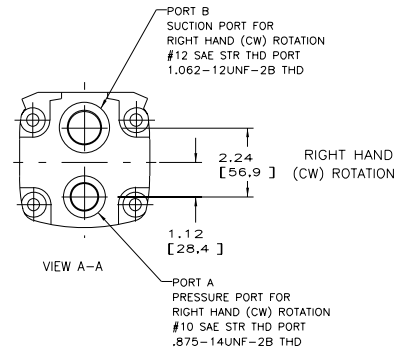
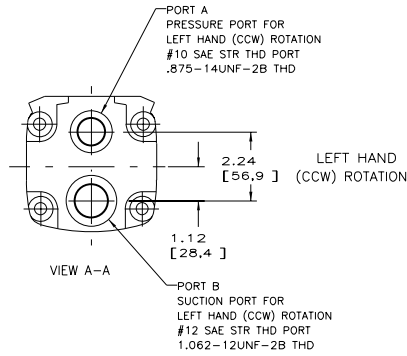
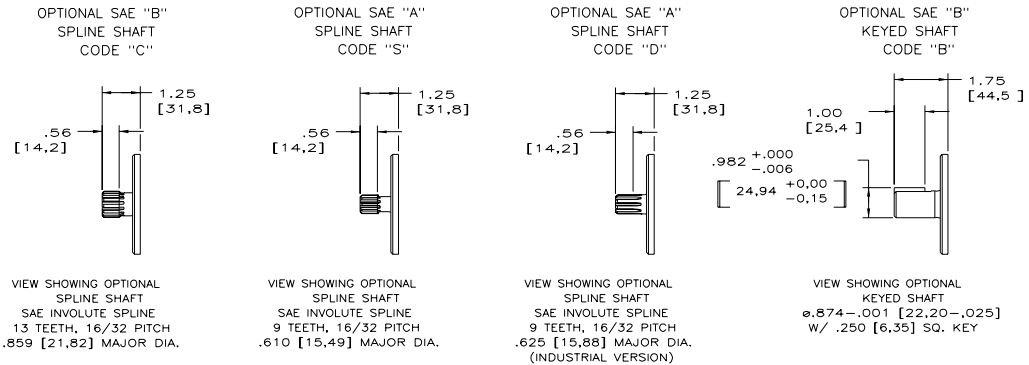
1

## WITHOUT CONTROLS



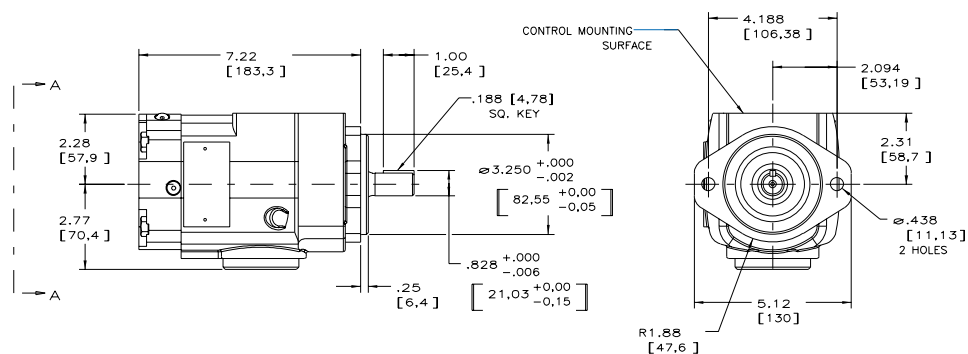
### Installation Drawing

### Basic Pump Without Control – Rear Ported



#### NOTES:

- 1) PUMPS ARE DESIGNED FOR ONE-WAY SERVICE
- 2) THESE UNITS ARE DESIGNED TO RUN CASE FULL OF FLUID AT ALL TIMES. FILL CASE BEFORE STARTING AND CONNECT DRAIN LINES ACCORDINGLY.
- 3) NUMERICAL DIMENSIONS GIVEN IN INCHES/[MM].
- 4) NET WEIGHT- 24 LBS. [10,9 KG].



520034-101

Telephone: (414) 327-1700  
Fax: (414) 327-0532

OILGEAR  
2300 So. 51st. Street  
Milwaukee, WI USA 53219

Issued: Oct., 2006  
DS-47480