



RPCE2-*
PROPORTIONAL
FLOW CONTROL VALVE,
PILOT OPERATED
SERIES 52

RPCE2-*/C two-port
RPCE2-70-T3 three-port
SUBPLATE MOUNTING
ISO 6263-06

p max **250** bar
Q max (see performances table)

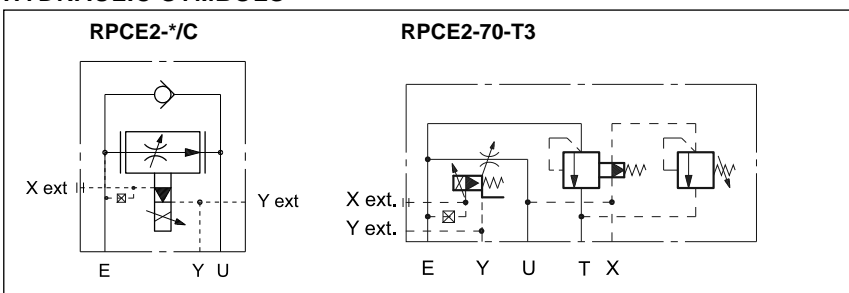
OPERATING PRINCIPLE

RPCE2-*/C

RPCE2-70-T3

- RPCE2 valves are proportional flow control valves pressure- and temperature-compensated, with two or three ports, with mounting interface in compliance with ISO 6263 standards.
- These valves are employed for flow rate control in hydraulic circuit branches and for speed control of hydraulic actuators.
- The valve can be controlled directly by a current control supply unit or combined with an external electronic card to maximize the valve performances (see par. 10).
- The valves are available in three flow control ranges: two with progressive gain up to 72 l/min and the third with differential gain of 30 l/min.
- The minimum pilot flow rate required to operate correctly is 2 l/min, with a minimum pressure of 20 bar.
- Pilot signal can be internal, flowing through E port in the mounting surface, or external, by connecting the 1/4" BSP X port placed on valve side. If internal pilot is chosen, X port is plugged.
- Drainage is always external and must be connected directly to the tank without backpressure, flowing from Y port in the mounting surface (OR Ø35) or from 1/4" BSP Y port on the pilot body.
- The three-port version RPCE2-70-T3 allows controlled flow in working line U, dumping the residual flow to the tank. The maximum pressure from the circuit is limited by means of an adjustable relief valve which operates on the compensator pilot.

HYDRAULIC SYMBOLS





1 - IDENTIFICATION CODES

1.1 - Identification code for two-port valve: RPCE2-*/C

R	P	C	E	2	-	/	C	/	/	52	-	24	/	/
---	---	---	---	---	---	---	---	---	---	----	---	----	---	---

Compensated flow control valve

Electric proportional control

ISO 6263-06 size

Controlled flow rate:
35 = 37 l/min **70** = 72 l/min
30G = 35 l/min (with differential gain)

Built-in check valve

Seals:
Omit for NBR seals for mineral oil (**standard**)
V = FPM seals for special fluids

Nominal solenoid voltage 24 VDC

Series No.
(from 50 to 59 sizes and mounting dimensions remain unchanged)

Pilot signal:
Omit for internal pilot
E = external pilot

NOTE: Standard surface treatment: zinc-nickel. The zinc-nickel finishing makes the valve suitable to ensure a salt spray resistance up to 240 hours.

1.2 - Identification code for three-port valve: RPCE2-70-T3

R	P	C	E	2	-	70	-	T3	/	/	52	-	24	/	/
---	---	---	---	---	---	----	---	----	---	---	----	---	----	---	---

Compensated flow control valve

Electric proportional control

ISO 6263-06 size

Controlled flow rate:
70 = 80 l/min

Three-port version

Seals:
Omit for NBR seals for mineral oil (**standard**)
V = FPM seals for special fluids

Nominal solenoid voltage 24 V DC

Series No.
(from 50 to 59 sizes and mounting dimensions remain unchanged)

Pilot signal:
Omit for internal pilot
E = external pilot

2 - PERFORMANCES

(obtained with mineral oil with viscosity of 36 cSt at 50°C and electronic control card)

Maximum working pressure		250
Minimum Δp across E and U ports	bar	10
Piloting pressures:	min	20
	max	160 (NOTE 1)
Maximum controlled flow E→U (RPCE2-*/C)		30 - 37 - 72
Maximum controlled flow (RPCE2-70-T3)		80
Minimum controlled flow with P=100 bar (versions 35 and 70) (version 30G)	l/min	0.5
		0.2
Maximum free reverse flow U→E		60 (NOTE 2)
Step response	see paragraph 8	
Hysteresis (with PWM 100 Hz)	% of Q_{max}	< 8%
Repeatability	% of Q_{max}	< $\pm 3\%$
Electrical features	see paragraph 7	
Ambient temperature range	°C	-10 / +60
Mass:	RPCE2-*/C	6
	RPCE2-70-T3	6.8

NOTE 1: Pilot signal must be external if line pressures exceed 160 bar.

NOTE 2: Maximum recommended flow U→E through the check valve (only for two-port version).

3 - HYDRAULIC FLUIDS

Use mineral oil-based hydraulic fluids HL or HM type, according to ISO 6743-4. For these fluids, use NBR seals. For fluids HFDR type (phosphate esters) use FPM seals (code V). For the use of other kinds of fluid such as HFA, HFB, HFC, please consult our technical department. Using fluids at temperatures higher than 80 °C causes a faster degradation of the fluid and of the seals characteristics.

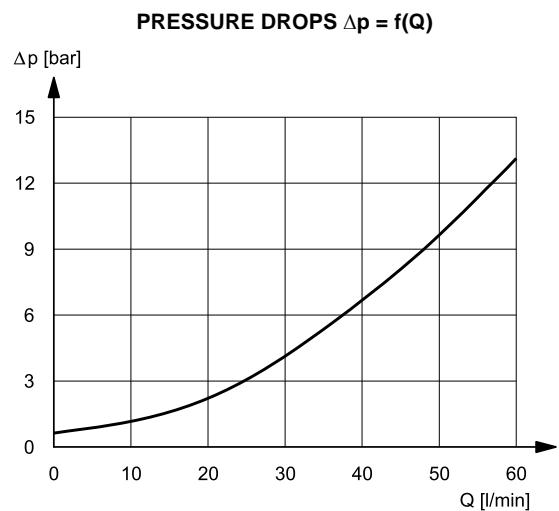
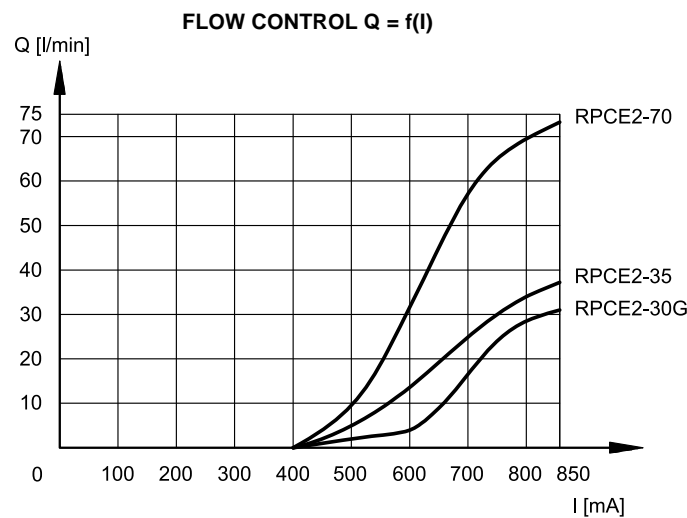
The fluid must be preserved in its physical and chemical characteristics.

Fluid temperature range	°C	-20 / +80
Fluid viscosity range	cSt	10 ÷ 400
Fluid contamination degree	According to ISO 4406:1999 class 18/16/13	
Recommended viscosity	cSt	25

4 - CHARACTERISTIC CURVES

(measured with viscosity of 36 cSt at 50°C)

4.1 - 2-way valve

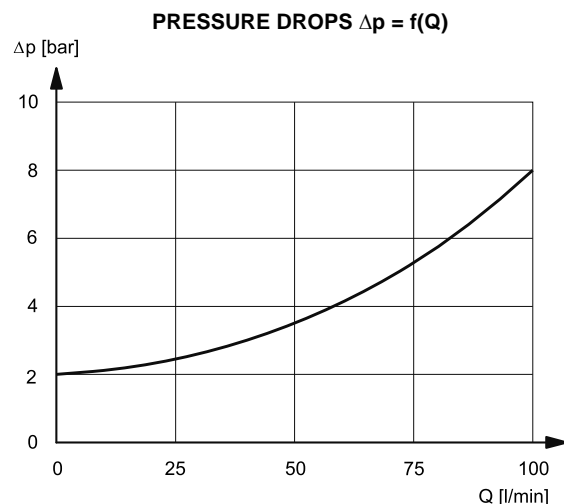
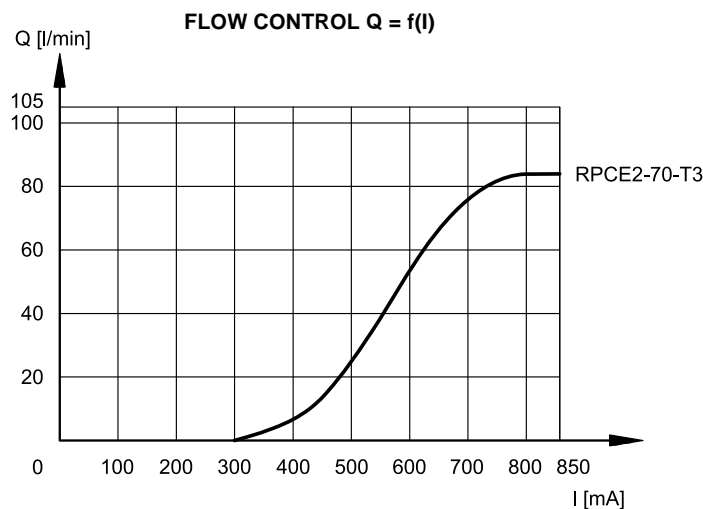


Typical flow control curves for flow rate E→U according to the current supplied to the solenoid.

The RPCE2-G version, featuring differential gain control, is particularly suitable for “fast-slow” flow rate control as it ensures high sensitivity at low flow rates while enabling high flow rates for rapid actuator movement.

Pressure drops with free flow U → E through check valve.

4.2 - 3-way valve



Typical flow control curves for flow rate E→T, according to the current supplied to the solenoid.

Pressure drops E→T
Curve obtained with unloading electrical control.



5 - PRESSURE COMPENSATION

The valves are equipped with two restrictors. The first is an opening which can be adjusted by the proportional solenoid; the second, controlled by the pressure upstream and downstream of the first restrictor ensures constant pressure drop across the adjustable restrictor. In these conditions, the set flow rate value is maintained constant within a tolerance range of $\pm 3\%$ of the set flow rate for maximum pressure variation between the valve inlet and outlet ports.

6 - THERMAL COMPENSATION

A temperature-sensitive device installed on the flow control element corrects the position and maintains the set flow rate virtually unchanged, also in the case of fluid viscosity variation.

Flow rate variation remains within 2.5% of the set flow rate, for a fluid temperature variation of 10°C.

7 - ELECTRICAL CHARACTERISTICS

Proportional solenoid

The proportional solenoid comprises two parts: tube and coil.

The tube, screwed to the valve body, contains the armature which is designed to maintain friction to a minimum thereby reducing hysteresis.

The coil is mounted on the tube secured by means of a lock nut and can be rotated through 360° depending on installation clearances.

NOMINAL VOLTAGE	V DC	24
RESISTANCE (at 20°C)	Ω	16.6
MAXIMUM CURRENT	A	0.85
ELECTROMAGNETIC COMPATIBILITY (EMC)	According to 2014/30 EU	
CLASS OF PROTECTION Atmospheric agents (IEC EN 60529) Coil insulation (VDE 0580) Impregnation	IP 65 class H class F	

8 - STEP RESPONSE

(obtained with mineral oil with viscosity of 36 cSt at 50°C and electronic control card)

Step response is the time taken for the valve to reach 90% of the set pressure value following a step change of reference signal.

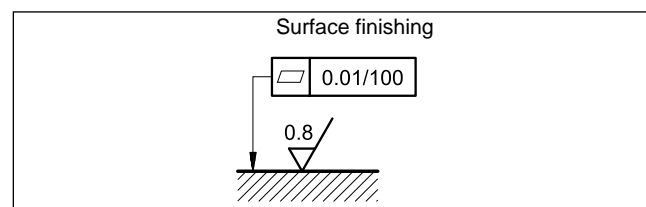
REFERENCE SIGNAL	0 → 100%	100 → 0%
Step response [ms]	250	120

9 - INSTALLATION

RPCE2-* valves, both two-port or three-port versions, can be installed in any position without impairing correct operation.

Ensure that there is no air in the hydraulic circuit.

Valves are fixed by means of screws or tie rods on a flat surface with planarity and roughness equal to or better than those indicated in the relative symbols. If minimum values are not observed fluid can easily leak between the valve and support surface.

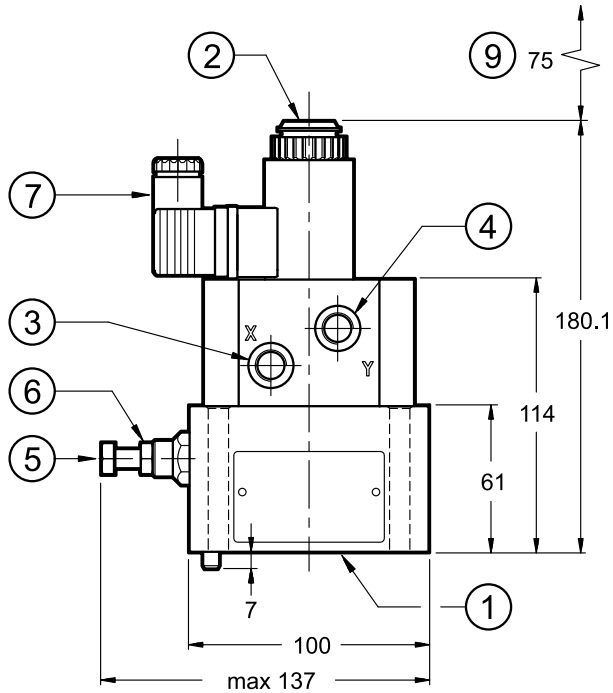


10 - ELECTRONIC CONTROL UNITS

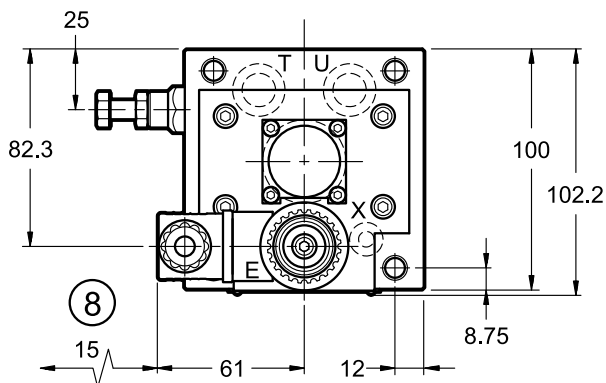
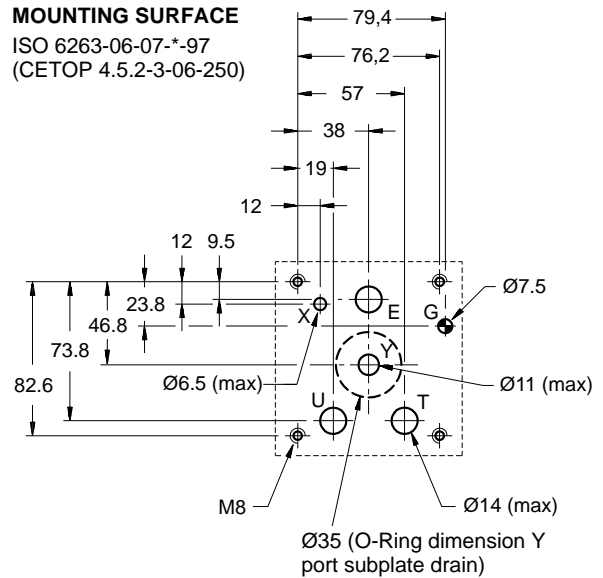
EDC-111	plug version	see cat. 89 120
EDM-M111	DIN EN 50022 rail mounting	see cat. 89 252

11 - RPCE2-70-T3 OVERALL AND MOUNTING DIMENSIONS

dimensions in mm



MOUNTING SURFACE
ISO 6263-06-07-*.97
(CETOP 4.5.2-3-06-250)



1	Mounting surface with sealing rings: 3 OR type 3068 (17.13x2.62) 1 OR type 2125 (31.47x1.78) 1 OR type 109 (9.13x2.62)
2	Breather (Allen key 4)
3	External pilot port X: 1/4" BSP. (plugged if internal pilot is chosen)
4	External drain port Y: 1/4" BSP to be used as an alternative to Y port on the mounting surface
5	Pressure relief valve: Adjustment screw: spanner 13 Turn clockwise to increase pressure. P max 210 bar
6	Locking ring: spanner 13
7	EN 175301-803 (ex DIN 43650) electric connector
8	Connector removal space
9	Coil removal space

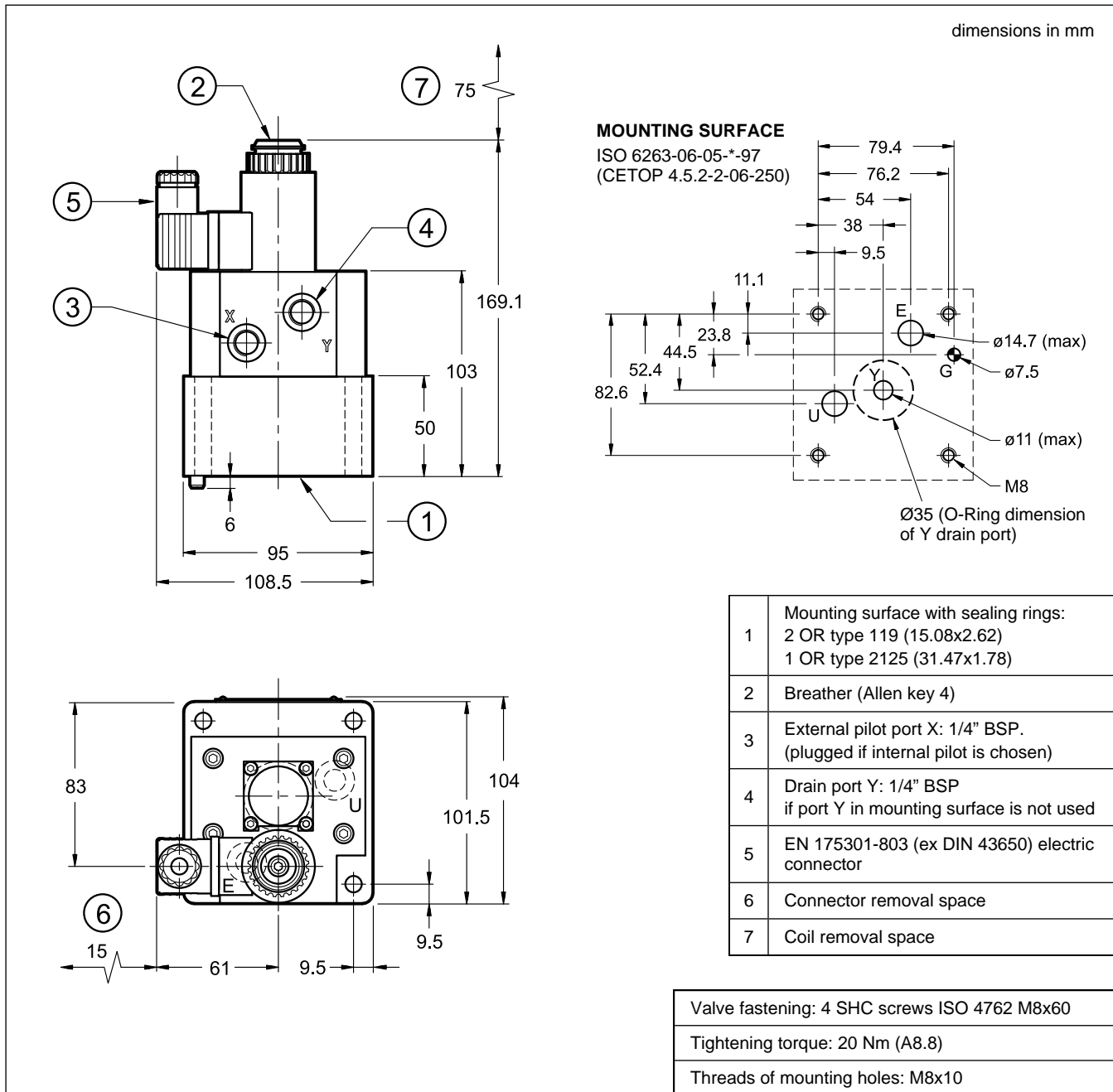
Valve fastening: 4 SHC screws ISO 4762 M8x75

Tightening torque: 20 Nm (A8.8)

Threads of mounting holes: M8x15



12 - OVERALL AND MOUNTING DIMENSION TWO-PORT VALVE RPCE2-*/C



13 - SUBPLATES

(see catalogue 51 000)

Subplates listed below are suitable only for valves with Y drain with external pipe.

	RPCE2-*/C two-port version	RPCE2-70-T3 three-port version
Type	PMRPC2-AI4G rear ports	PMRPCQ2-AI4G rear ports
E, U, T ports threading	1/2" BSP	1/2" BSP
X port threading	-	1/4" BSP